


REV	Description	DATE	BY
v1	First release PCB version is v1	3/6/2015	QXN

PAGE NO.	SCHEMATIC PAGE
1	COVER PAGE
2	POWER MANAGEMENT
3	PROCESSOR 1 OF 3, JTAG HEADER
4	PROCESSOR 2 OF 3, UAB PORTS
5	PROCESSOR 3 OF 3
6	LED, CONFIGURATION AND BUTTON
7	DDR3 MEMORY
8	eMMC FLASH
9	10/100 ETHERNET
10	EXP CONN, uSD

This work is licensed under the Creative Commons Attribution 4.0 International License.
 To view a copy of this license, visit
<http://creativecommons.org/licenses/by-sa/4.0>

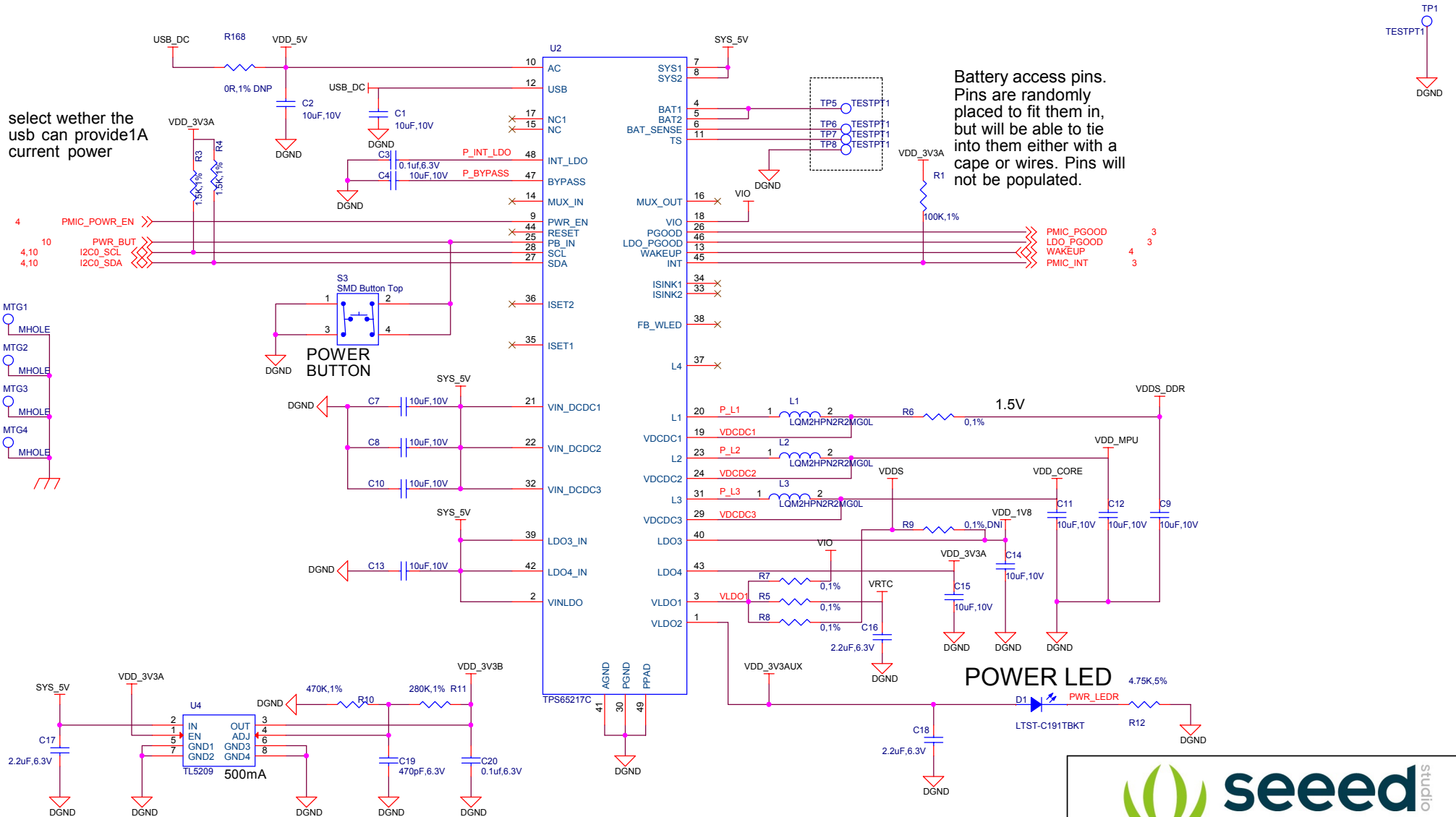
This schematic is ***NOT SUPPORTED*** and DOES NOT constitute a reference design. Only Community support is allowed via resources at BeagleBoard.org/discuss.

THERE IS NO WARRANTY FOR THIS DESIGN , TO THE EXTENT PERMITTED BY APPLICABLE LAW. EXCEPT WHEN OTHERWISE STATED IN WRITING THE COPYRIGHT HOLDERS AND/OR OTHER PARTIES PROVIDE THE DESIGN IS WITHOUT WARRANTY OF ANY KIND, EITHER EXPRESSED OR IMPLIED, INCLUDING, BUT NOT LIMITED TO, THE IMPLIED WARRANTIES OF MERCHANTABILITY AND FITNESS FOR A PARTICULAR PURPOSE. THE ENTIRE RISK AS TO THE QUALITY AND PERFORMANCE OF THE DESIGN IS WITH YOU. SHOULD THE DESIGN PROVE DEFECTIVE, YOU ASSUME THE COST OF ALL NECESSARY SERVICING, REPAIR OR CORRECTION.

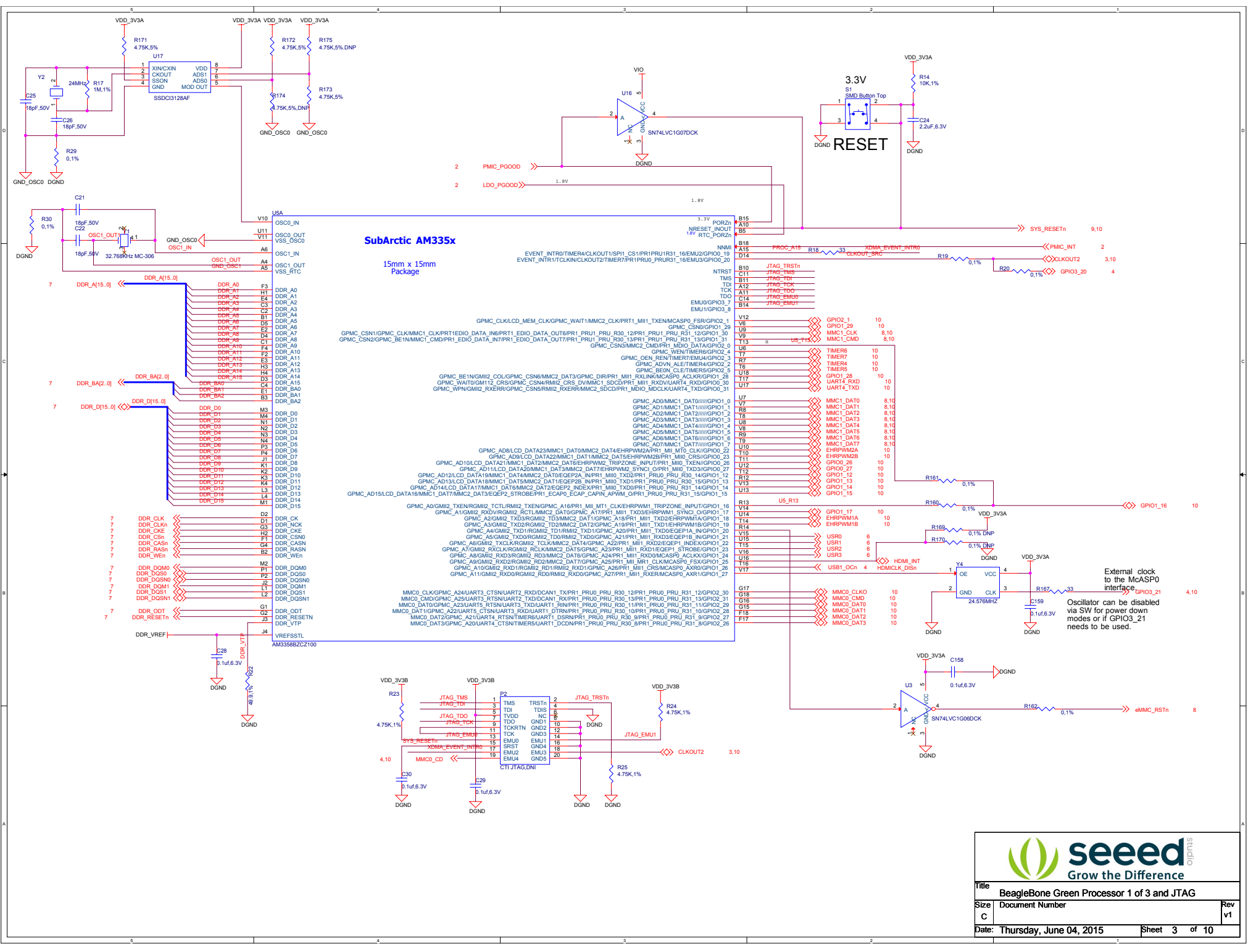
		
seeed studio Grow the Difference		
Title	BeagleBone Green Cover Page	
Size	Document Number	Rev
B		v1
Date:	Thursday, June 04, 2015	Sheet 1 of 10

select wether the
usb can provide 1A
current power

Battery access pins.
Pins are randomly
placed to fit them in,
but will be able to tie
into them either with a
cape or wires. Pins will
not be populated.

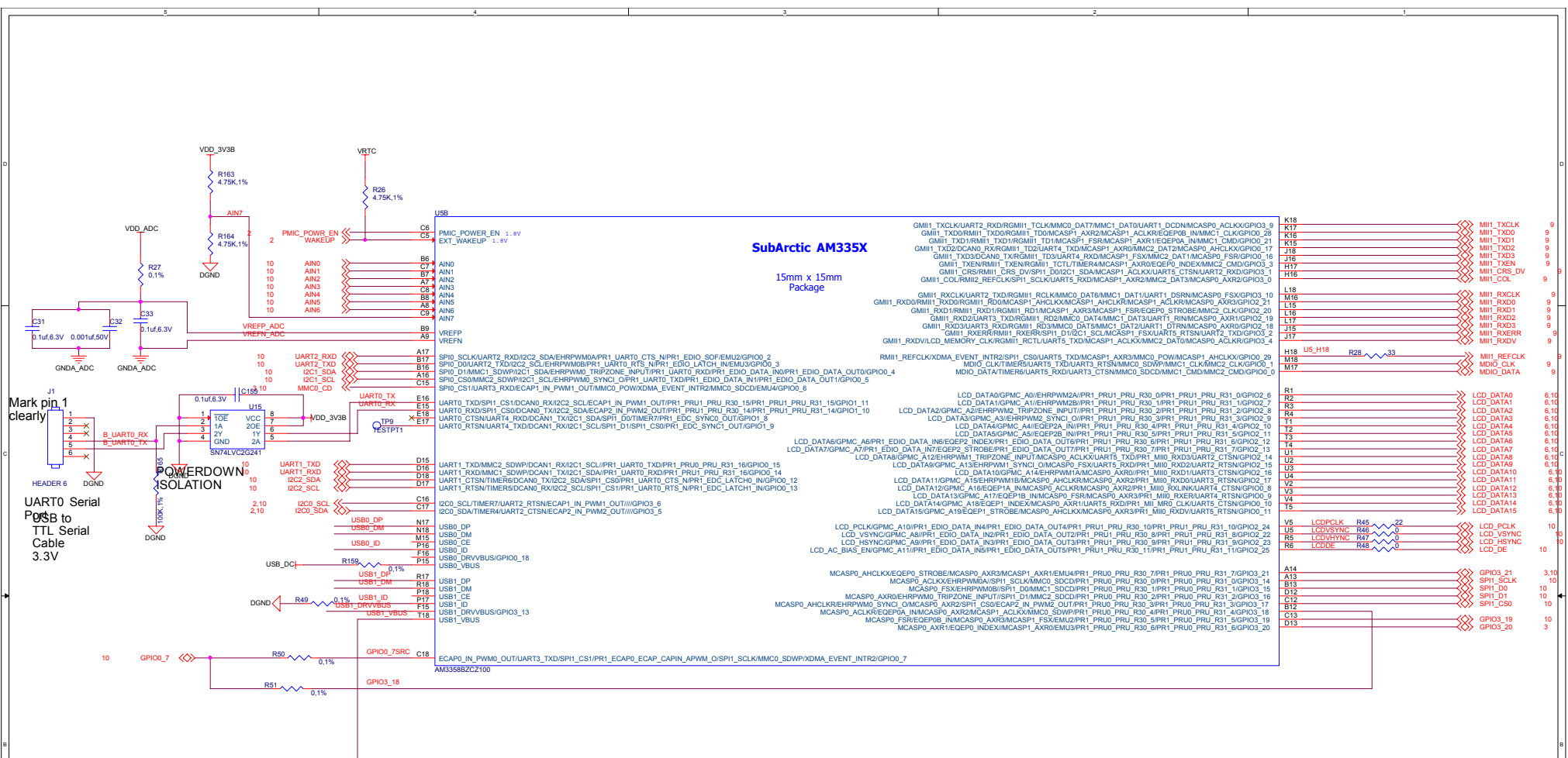


Title		
BeagleBone Green Power Management		
Size	Document Number	Rev
B		v1
Date:	Monday, July 27, 2015	Sheet 2 of 10



seed
Grow the Difference

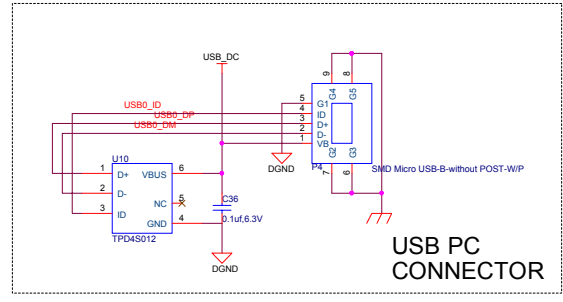
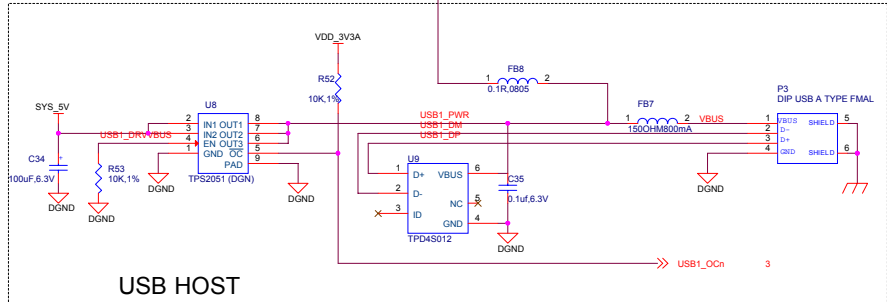
Title: BeagleBone Green Processor v1.0 and JTAG
 Size: Document Number
 Date: Thursday, June 04, 2015 Sheet 3 of 10

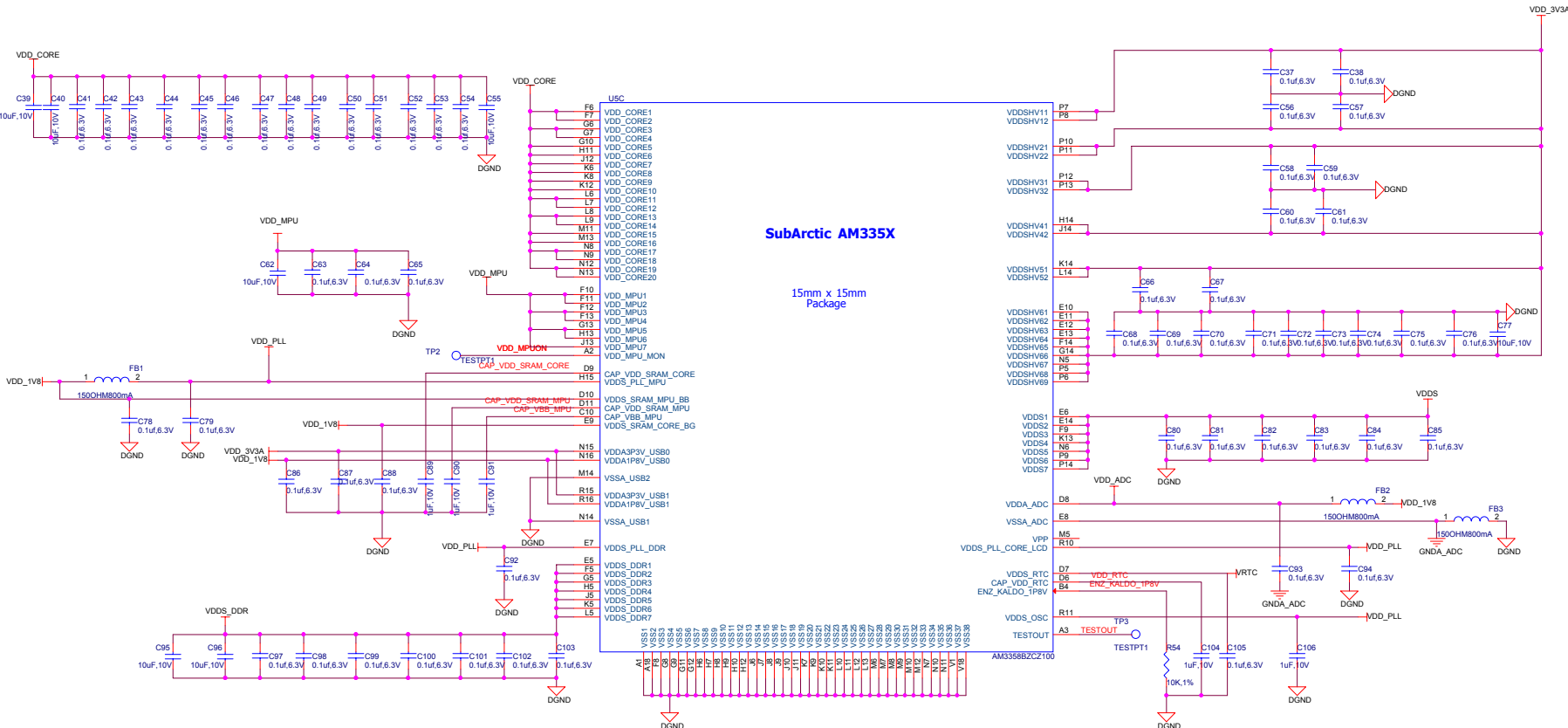


Mark pin 1 clearly

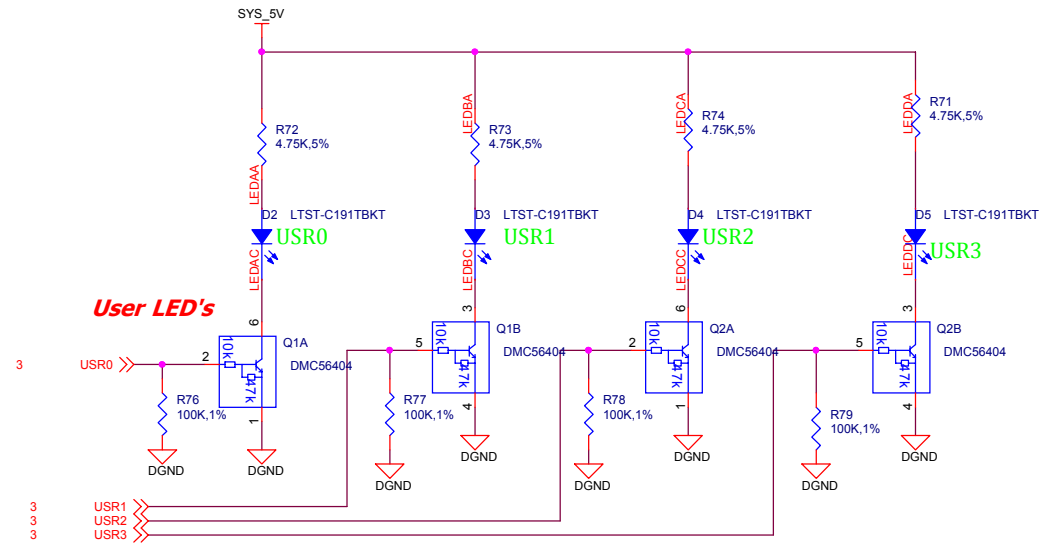
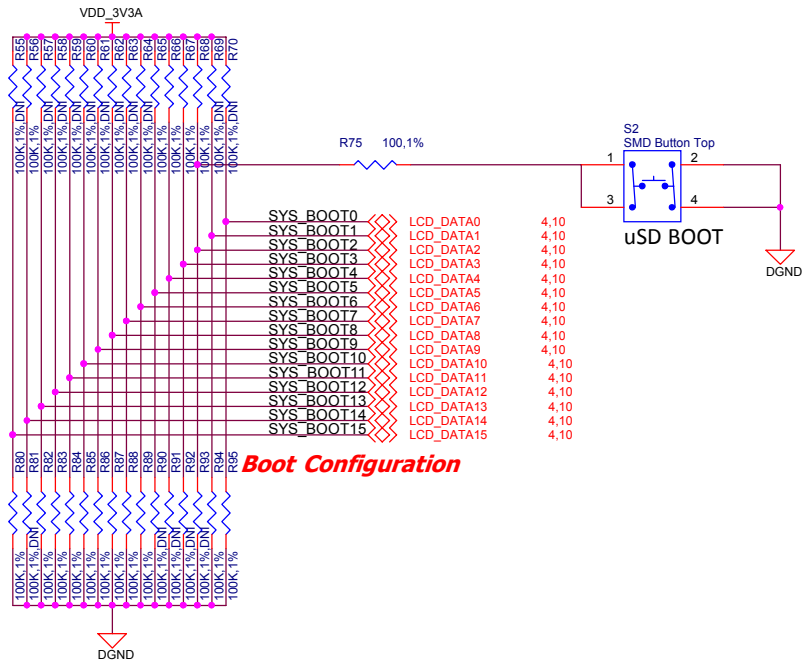
UART0 Serial Cable 3.3V

POWERDOWN ISOLATION





SubArctic AM335X
15mm x 15mm Package



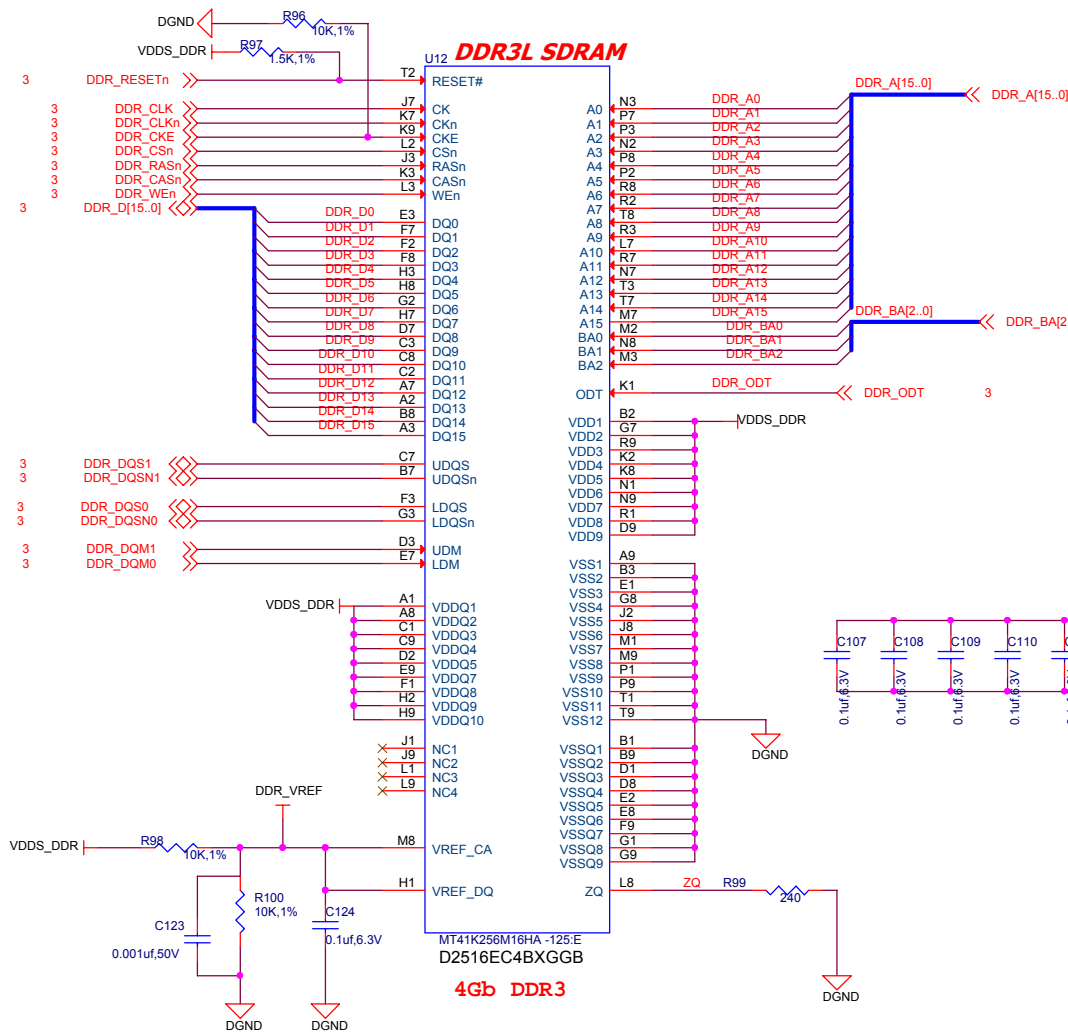
SYSBOOT[15:14]	SYSBOOT[13:12]	SYSBOOT[11:10]	SYSBOOT[9]	SYSBOOT[8]	SYSBOOT[7:6]	SYSBOOT[5]	SYSBOOT[4:0]	Boot Sequence			
00b = 19.2MHz 01b = 24MHz 10b = 25MHz 11b = 26MHz	00b (all other values reserved)	Don't care for ROM code	Don't care for ROM code	Don't care for ROM code	Don't care for ROM code	0 = CLKOUT1 disabled 1 = CLKOUT1 enabled	11100b	MMC1	MMC0	UART0	USB0[5]
00b = 19.2MHz 01b = 24MHz 10b = 25MHz 11b = 26MHz	00b (all other values reserved)	Don't care for ROM code	Don't care for ROM code	Don't care for ROM code	Don't care for ROM code	0 = CLKOUT1 disabled 1 = CLKOUT1 enabled	11000b	SPI0	MMC0	USB0[5]	UART0



Title BeagleBone Green LED, Configuration, and Reset

Size Document Number Rev v1

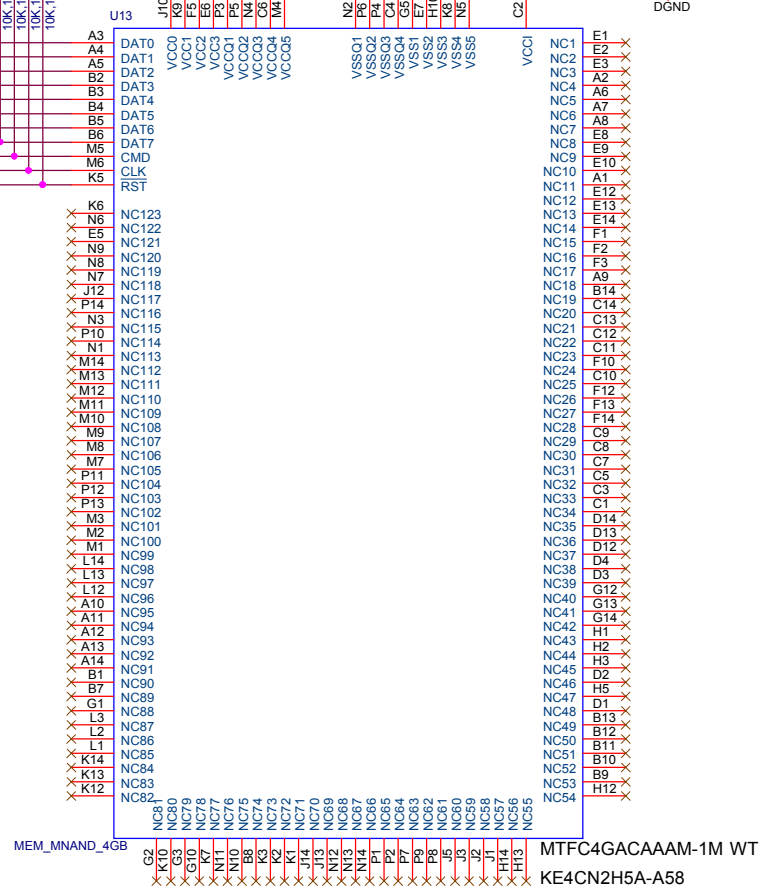
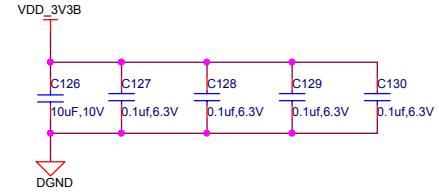
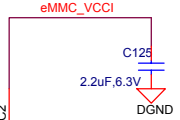
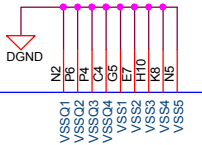
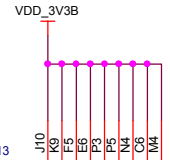
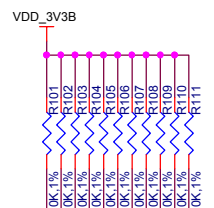

Date: Thursday, June 04, 2015 Sheet 6 of 10



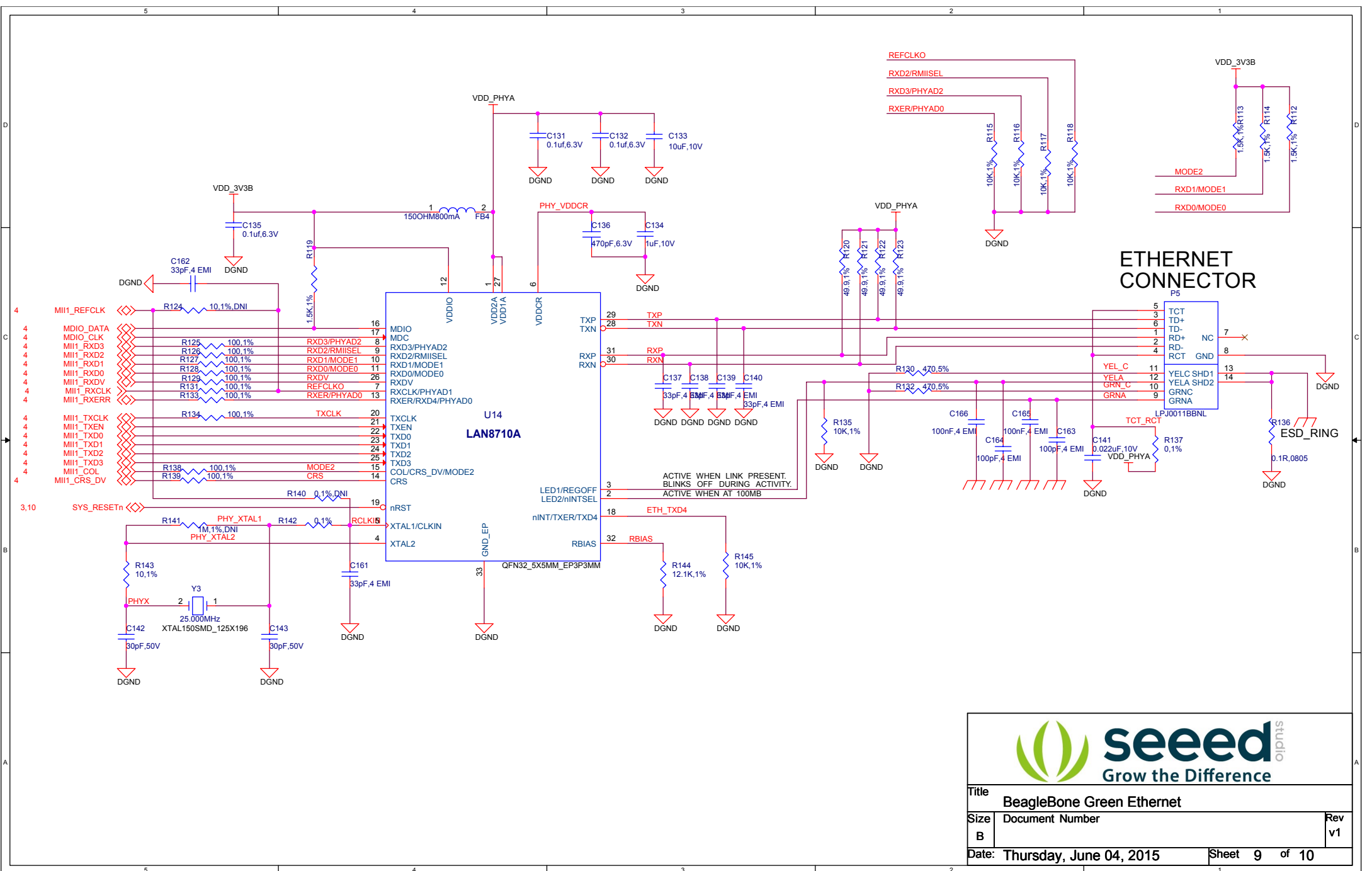
Title		
BeagleBone Green DDR3 Memory		
Size	Document Number	Rev
B		v1
Date:	Thursday, June 04, 2015	Sheet 7 of 10

3.10
3.10
3.10
3.10
3.10
3.10
3.10
3.10
3.10
3.10
3

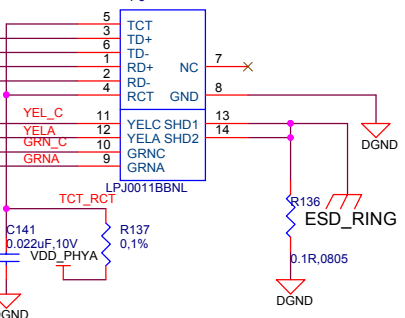
MMC1_DAT0
MMC1_DAT1
MMC1_DAT2
MMC1_DAT3
MMC1_DAT4
MMC1_DAT5
MMC1_DAT6
MMC1_DAT7
MMC1_CMD
MMC1_CLK
eMMC_RSTn

Title		
BeagleBone Green 4G eMMC		
Size	Document Number	Rev
B		v1
Date:	Thursday, June 04, 2015	Sheet 8 of 10

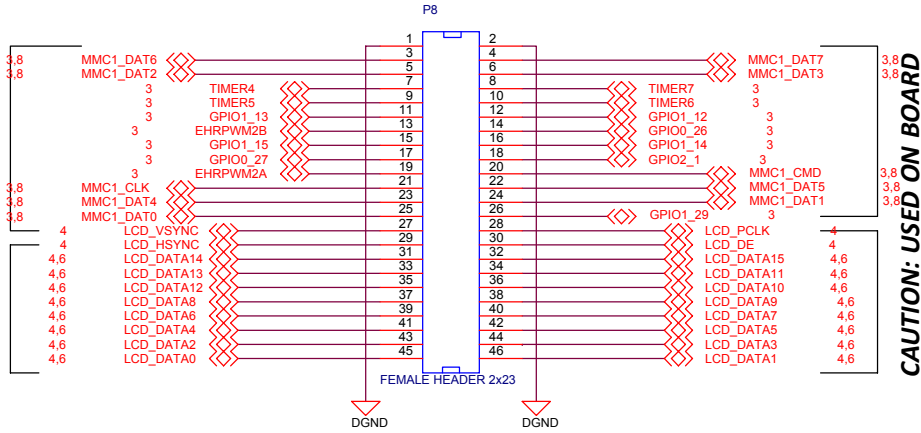


ETHERNET CONNECTOR

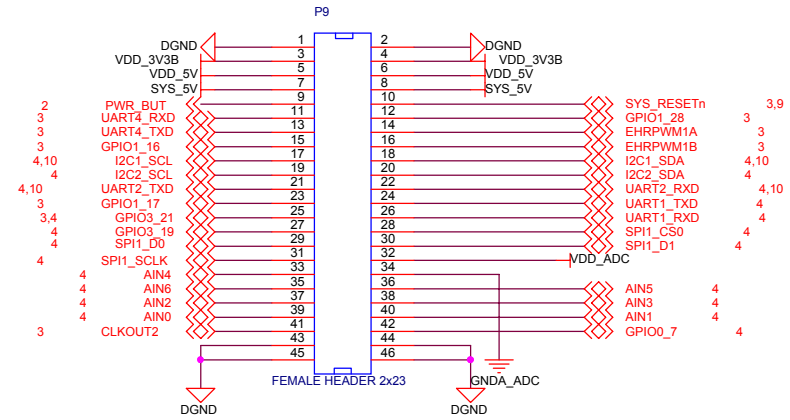


Title		
BeagleBone Green Ethernet		
Size	Document Number	Rev
B		v1
Date:	Thursday, June 04, 2015	Sheet 9 of 10

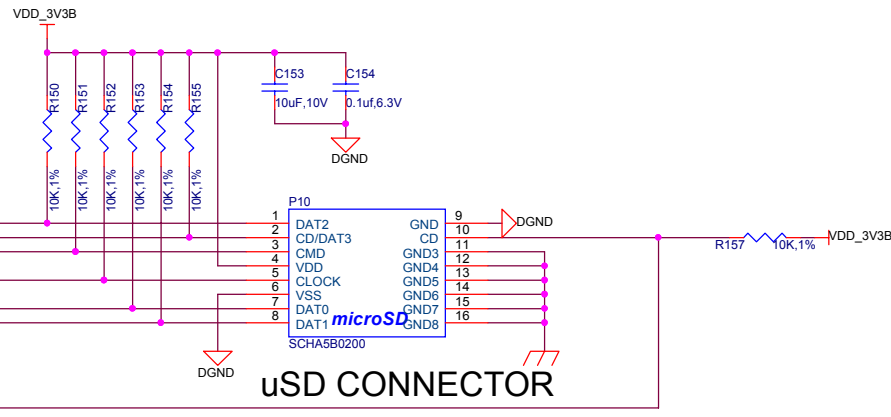
CAUTION: USED ON BOARD



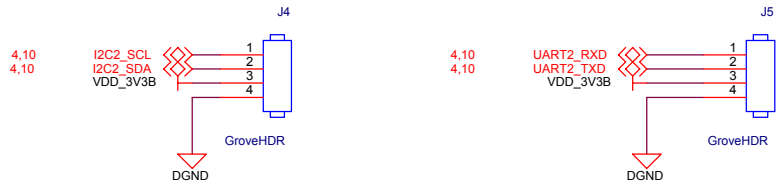
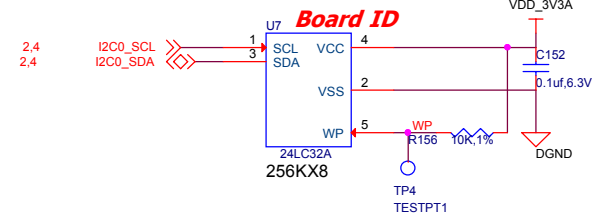
CAUTION: USED ON BOARD



EXPANSION HEADER



uSD CONNECTOR



GROVE CONNECTOR



Title BeagleBone Green Expansion Headers, uSD and EEPROM

Size Document Number Rev v1

Date: Thursday, June 04, 2015 Sheet 10 of 10